

Three-Way Line Array **Galeo T**



The Galeo T is a high performance line array for large scale sound reinforcement applications which features a number of innovative acoustical and mechanical solutions. Although a three-way system, the Galeo T is driven two-way active, and therefore requires only two amplifier channels. The two 12" low-mid drivers are installed in a space saving double bandpass configuration, which allows a cabinet width of only 76 cm. The newly developed integrated flying hardware allows the curving angle to be set after the system has been lifted up, thereby simplifying the set-up process. The maximum splay angle of 12° makes the Galeo T suitable for applications where only a small number of elements can be used.

PRODUCT SPECIFICATIONS (for one unit GALEO T)

Speaker Components	2 x 12" Nd / 4 x 6,5" Nd / 2 x 1,4" Nd
Description	Three-Way Line Array Unit
Power AES / Peak	LF: 1500 W / 4500 W HMF: 600 W / 1800 W
Impedance nominal	LF: 8 Ω / HMF: 8 Ω
SPL 1 W / Peak @ 1m	LF: 100 dB / 137 dB HMF: 103 dB / 136 dB
Usable Range	70 Hz - 18 kHz (- 6 dB)
Tuning Frequency excursion minimum	80 Hz
X-Overpoint acoustical	LF/MF: Depends on preset MF/HF: 1 kHz
Coverage horizontal x vertical	100° x 12° (100°-version) 70° x 12° (70°-version)
Max. Splay Angle	12°
Connectors	2 x Speakon NL4MP in/out Coding: 1 +/- HiMid, 2 +/- LowMid
Handles	4 x
Rigging / Fittings	Integrated flying hardware
Weight	49 kg
Size height x width x depth	38,0 x 76,0 x 52,0 cm
Order No.	00420/100 (100° - Version) 00420/70 (70° - Version)



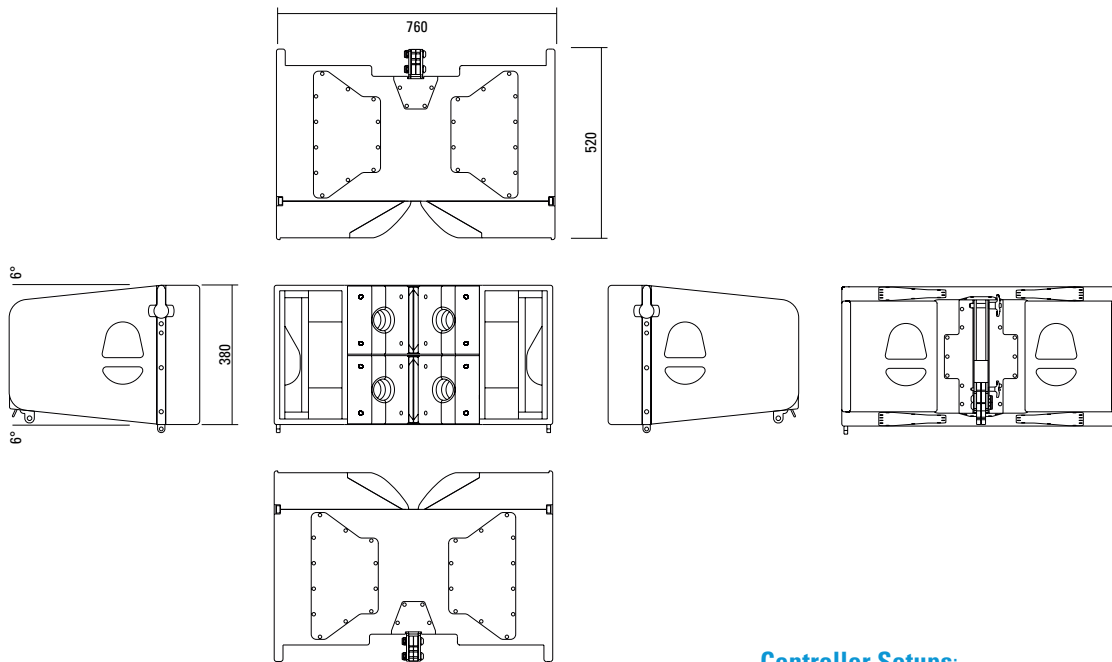
Flying Frame



Integrated and recessed flying hardware.



DIMENSIONS

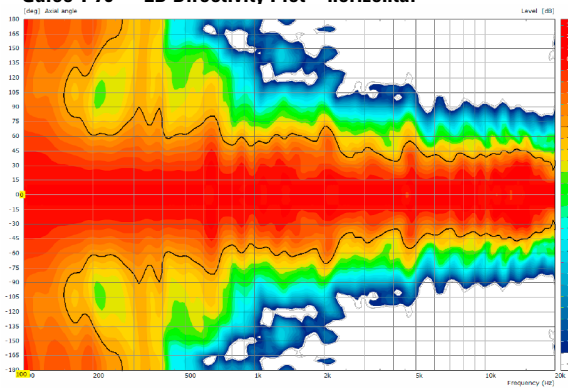


Controller Setups:

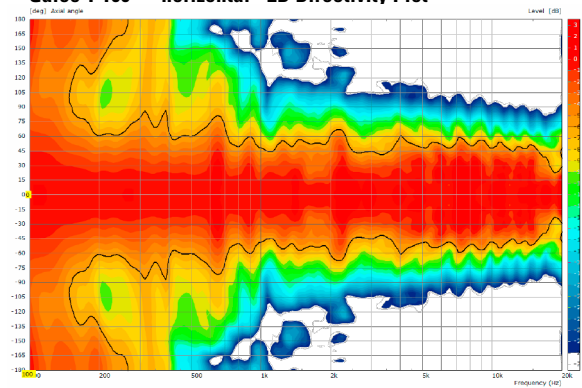
<https://www.seeburg.com/en/downloads>

COVERAGE PATTERNS

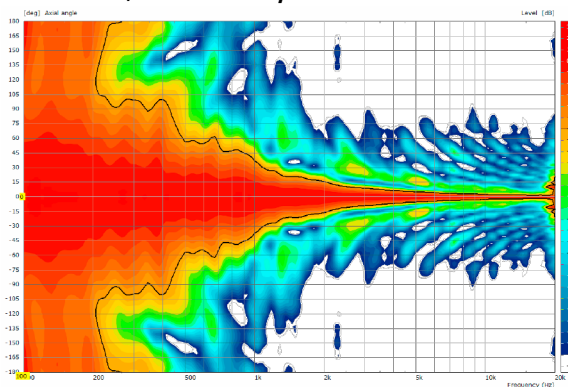
Galeo T 70° - 2D Directivity Plot - horizontal



Galeo T 100° - horizontal - 2D Directivity Plot



Galeo T 70° / 100° - Directivity Plot - vertical



FLYING SYSTEM



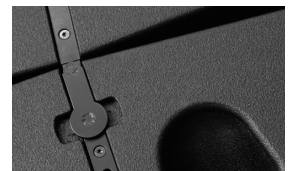
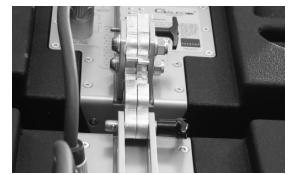
Flying Frame



Integrated flying system



Auto-locking flying fixtures.



Integrated and recessed flying hardware.

GROUND STACKED SOLUTIONS



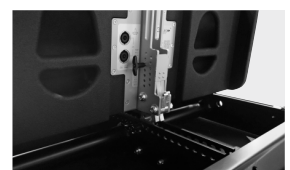
2 x Galeo T / Galeo T Sub



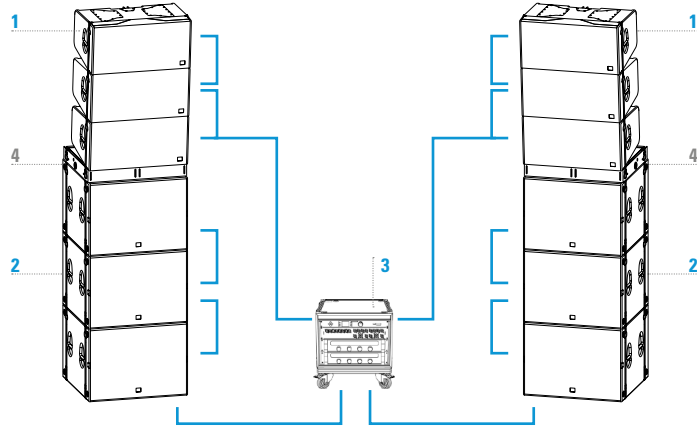
2 x Galeo T / 3 x Galeo T Sub



Flying Frame



CONFIGURATION EXAMPLES

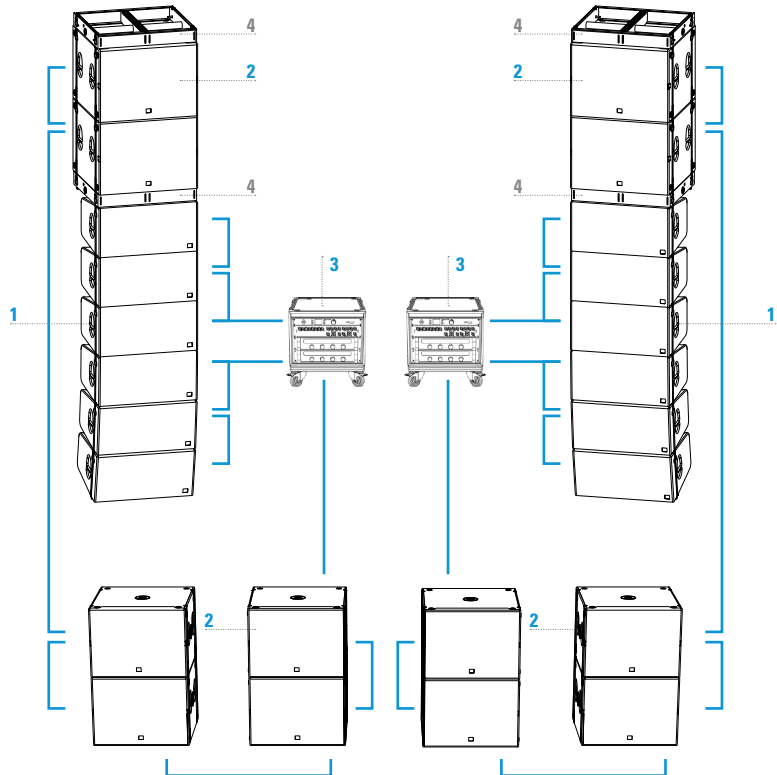


Basic-System

Components	Order No.
1 6 x Galeo T	00420
2 6 x Galeo T Sub	00430
3 19" x 7 Rack	10010
HDLM 8	01402
Connection Panel CP 4.8	01410
2 x 4-Channel Amping (4 x in / 8 x out)	
Accessories	Order No.
4 2 x Flying Frame	01316

Tour-System

Components	Order No.
1 12 x Galeo T	00420
2 12 x Galeo T Sub	00430
3 2 x 19" x 7 Rack	10010
HDLM 8	01402
Connection Panel CP 4.8	01410
2 x 4-Channel Amping (4 x in / 8 x out)	
Accessories	Order No.
4 4 x Flying Frame	01316





Flying Frame

for Galeo T / Galeo T Sub,
incl. accessories
(3 pcs. 12 x 40 mm ball lock pins,
load adapter and 100 mm distance
bar) - also for ground stack.

Order No. **01316**



Load Adapter

for Galeo T / Galeo T Sub,
flying frame

Order No. **01316/L**



Ball Lock Pins

for Galeo T / Galeo T Sub,
flying frame

Order No. **01380/6x40** (6 x 40 mm)

Order No. **01380/12x40** (12 x 40 mm)



Shackle

cambered, high-quality tempered,
with bolt (ø 20 mm), weight: 0,65 kg,
WLL 3250 kg

Order No. **01372/3000**



Speaker-Cable NL4

NL4, incl. cable fastener

Order No. **08452** (5 m)

Order No. **08453** (10 m)

Order No. **08454** (15 m)



Patch Cable

for Galeo T

Order No. **08448/T**



Load Adapter

ACCESSORIES Galeo T

AMR Reflectors 100°



for Galeo T / Galeo S,
consisting of 2 pcs.
AMR reflectors 100°,
incl. fittings
Order No. **08141/100**

AMR Reflectors 70°



for Galeo T / Galeo S,
consisting of 2 pcs.
AMR reflectors 70°,
incl. fittings
Order No. **08141/70**

Lashing Straps



Safetex 25A-B-1-DR, 0,8 t, one-piece,
length: 6 m, width: 25 mm
Order No. **01320**



Safetex 35A-B-1-DR, 2,0 t, one-piece,
length: 6 m, width: 35 mm
Order No. **01325**

Dolly



for Galeo T, up to 4 stacked units,
stackable
Order No. **01274**

